

brand **Flymo**

date **29.09.2003** Sheet **1/2**

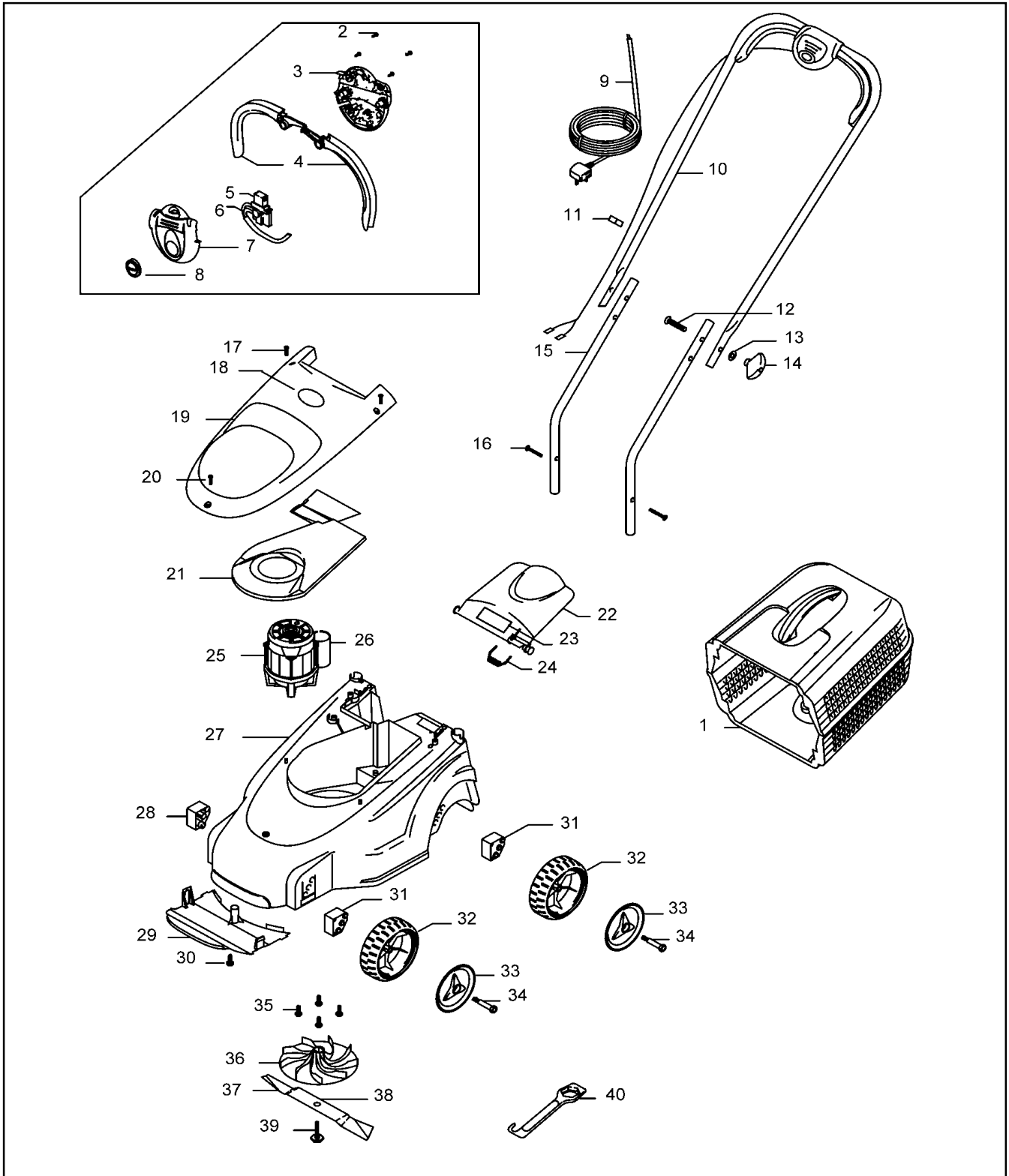
Publication No. **AP0309002**

Model

Flymo RE320

Product Number

9643202-01



brand	Flymo
-------	-------

date	29.09.2003	Sheet 2/2
------	------------	-----------

Flymo RE320

pos	Part No	Description	Qty	pos	Part No	Description	Qty
1	5106882-00/3	Grassbox assy	1	37	5127734-00/1	Blade	1
2	5130873-00/2	Screw	4	38	5127794-80/7	Blade, single pre-pack	1
3	5119483-68/2	Switchbox lower	1	39	5137608-01/3	Blade bolt	1
4	5119459-64/1	Levers	2	40	5127933-00/9	Spanner	1
5	5130504-00/3	Switch	1				
6	5148814-47/7	Lead	1				
7	5119456-68/8	Switchbox upper	1				
8	5131030-64/4	Button, lock off	1				
9	5127251-10/5	Cable	1				
10	5127927-68/8	Handle upper	1				
11	5138574-00/5	Cable clip	2				
12	5149198-01/1	Bolt	2				
13	5140266-00/7	Washer	2				
14	5107091-64/6	Wing knob	2				
15	5119470-68/9	Handle lower	2				
16	5149923-00/4	Screw	2				
17	5149385-00/6	Screw	2				
18	5131119-00/9	Label, model	1				
19	5118419-01/8	Cowl, outer	1				
20	5149385-00/6	Screw	1				
21	5118922-00/3	Cowl, inner	1				
22	5118422-00/4	Safety flap	1				
23	5138587-00/0	Label, warning	1				
24	5139804-00/8	Spring	1				
25	5127828-00/1	Motor	1				
26	5139149-00/8	Capacitor, motor	1				
27	5107116-04/7	Deck/Skid plate	1				
		(includes * items)	kit				
28 *	5128196-02/8	Height adjust block R/H	2				
29 *	5127843-00/0	Skid plate	1				
30 *	5149385-00/6	Screw	1				
31 *	5128196-01/0	Height adjust block L/H	2				
32 *	5127752-01/1	Wheel	4				
33	5127751-00/5	Hub cap	4				
34	5139228-00/0	Bolt	4				
35	5139096-00/1	Screw	4				
36	5118395-00/2	Impeller	1				